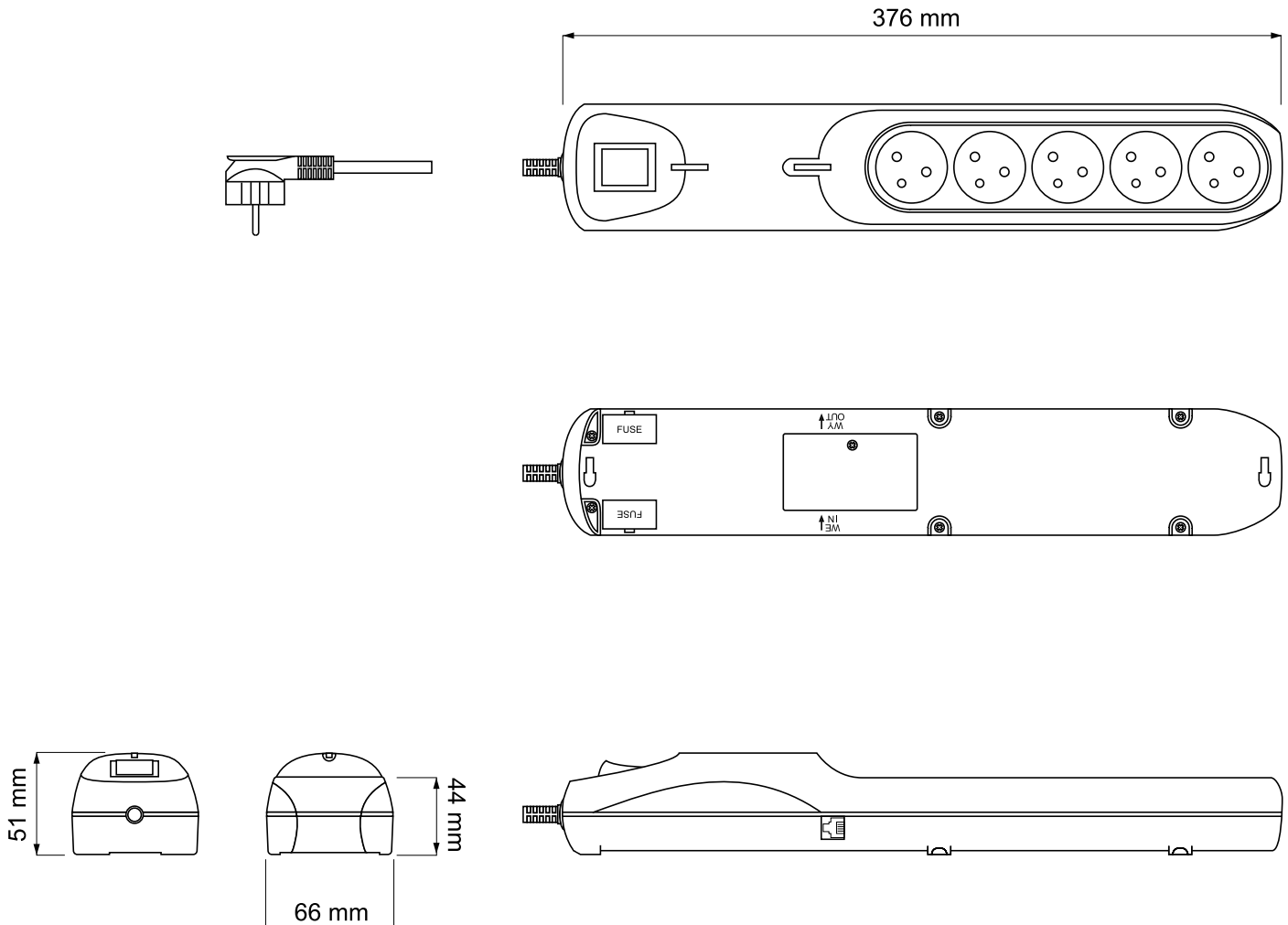




# PRODUCT CARD

## Surge/EMI-RFI Noise Protector LFT 2001A G-A\*



Technical Data:	
Continuous operating voltage $U_c$	~250V, 50Hz
Voltage rating $U_N$	~230V, 50Hz
Rated current $I_N$	10A
Energy absorption Joules $\Sigma$	1176J
Max. spike amperage $I_{MAX}$ $\Sigma$	19,5 kA (8/20 $\mu$ s) 6,5kA(L/N), 6,5kA(L,N/PE)
Response time	<25ns
Noise suppression	100KHz÷30MHz 60db
Outflow current	<0,5mA
Switch	Not illuminated
Fuse	2x10A/250V
Cable length	L-2,5÷5,0m

\* COLORS:  
GR - GREY  
BL - BLACK

DATE:	PREPARED:	CONFIRMED:	MODEL:	PAGE 1
			LFT 2001A G-A*	KK-1/EN