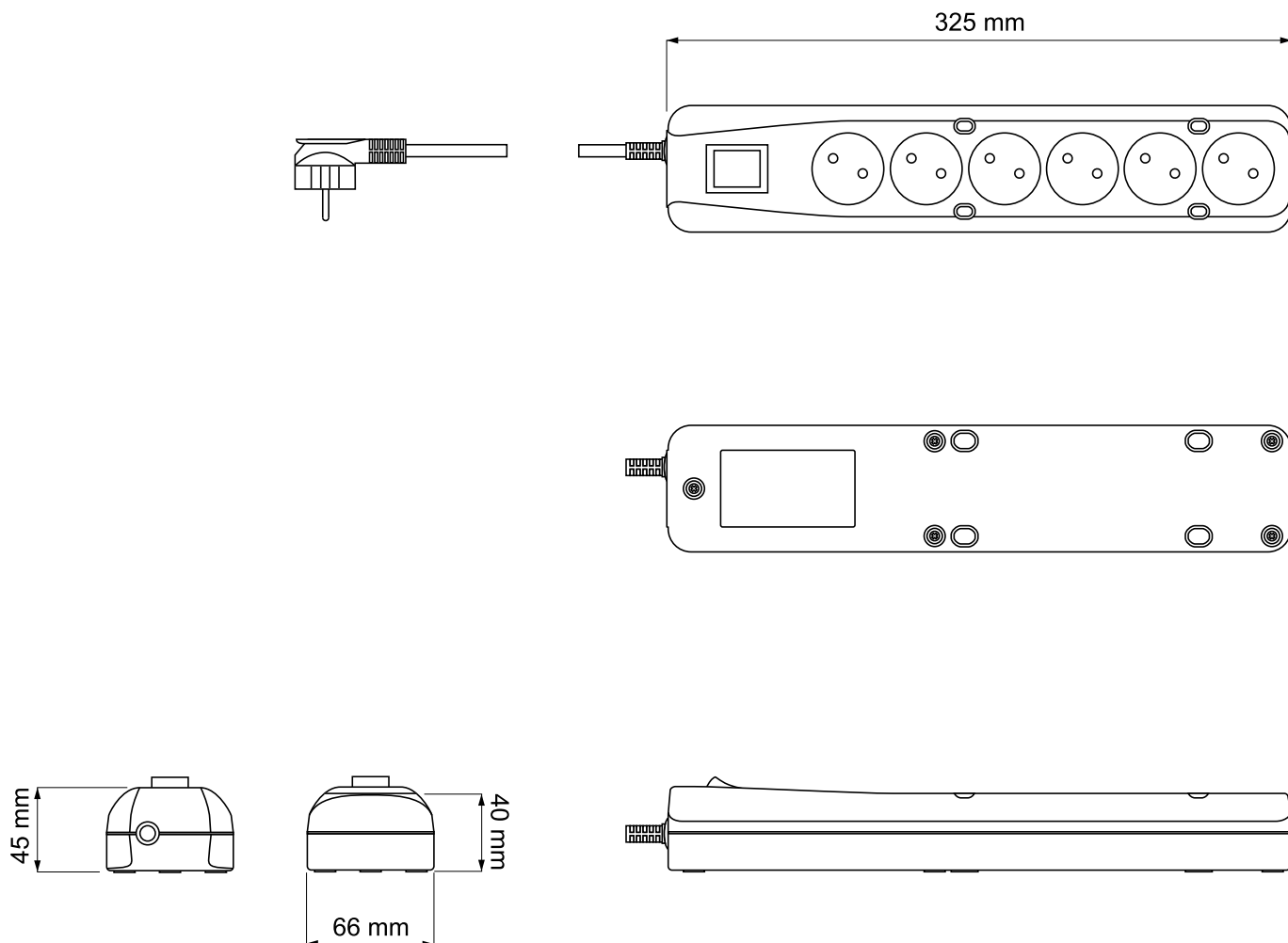




# PRODUCT CARD

## Extension cord LP-620W



Technical Data:	
Continuous operating voltage $U_c$	~250V, 50Hz
Voltage rating $U_N$	~230V, 50Hz
Rated current $\Sigma I_N$	16A
Switch	Illuminated
Cable length	L-1,5÷5,0m

DATE:	PREPARED:	CONFIRMED:	MODEL:	PAGE 1
			LP-620W	KK-48/EN